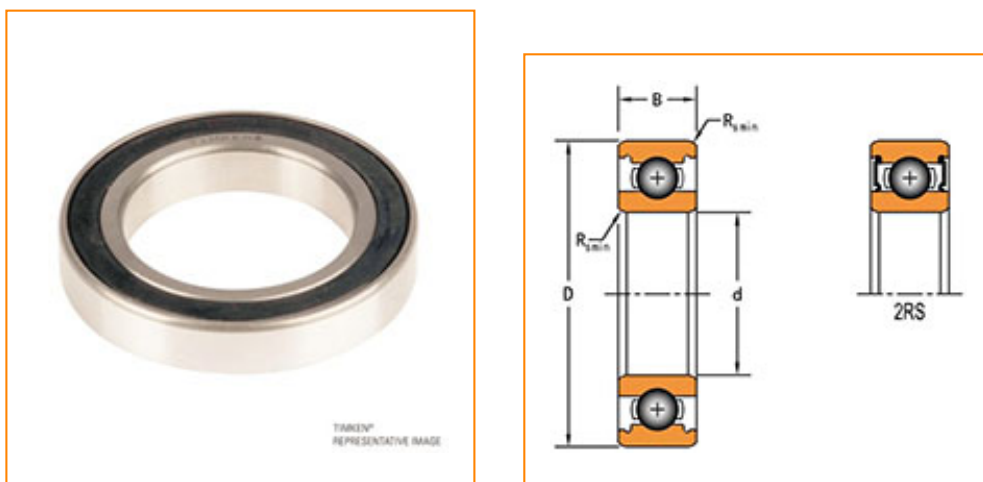


Home > Products & Services > Bearings > Product List > All Product Types > ENGINEERED BEARINGS > Ball Bearings > Deep Groove Ball Bearings > Thin Section Ball Bearings (61700, 61800, 61900) > Part Number 61810-2RS-C3

Part Number 61810-2RS-C3, Thin Section Ball Bearings (61700, 61800, 61900)

Timken's deep groove ball bearings deliver reliable performance in a wide range of applications and conditions. With super-finished raceways and controlled geometries, our premium design helps ensure consistent quality.



[Specifications](#) | [Dimensions](#) | [Basic Load Ratings](#) | [Factors](#)

Specifications

Clearance	C3
Bore Size d	50.000 mm
Features	Contact Seals
Weight	0.047 Kg

Dimensions

Outside Diameter D	65.0 mm
Outside Ring Width B	7.000 mm
Shoulder Radius R _s min	0.300 mm



Basic Load Ratings

Cr - Dynamic Load Rating	6.2 kN
---------------------------------	--------

C0r - Static Load Rating	5.8 kN
---------------------------------	--------

Factors

Grease Limiting Speed	9500 rpm
------------------------------	----------

Oil Limiting Speed	11000 rpm
---------------------------	-----------

